

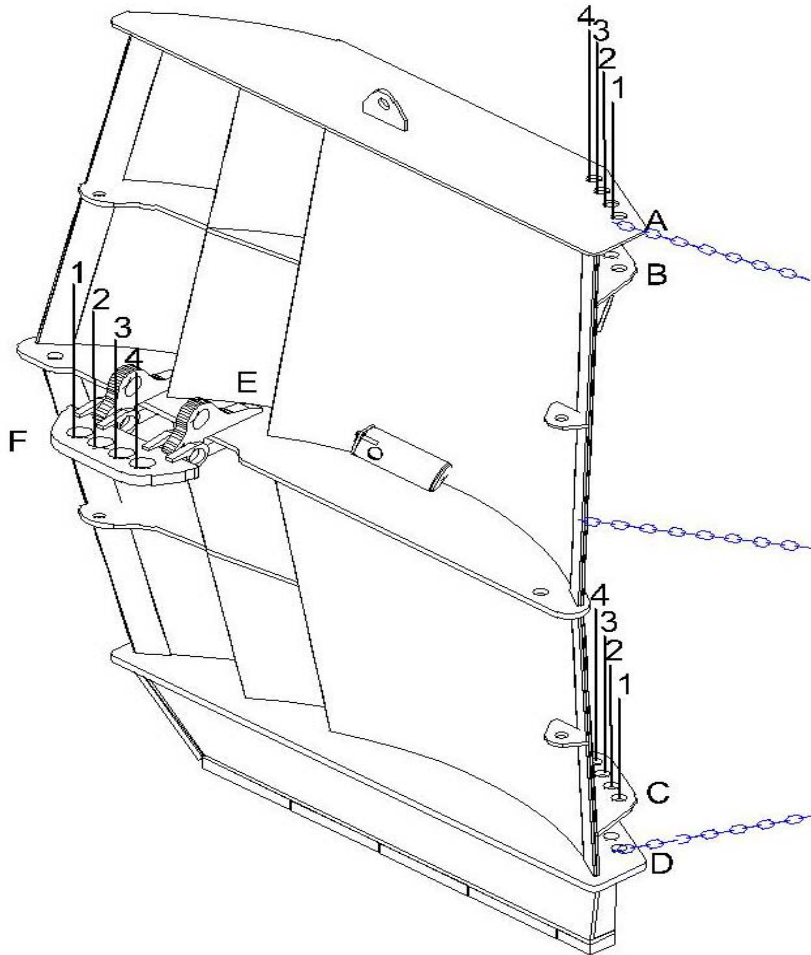


El Cazador

Trawl Doors

www.hampidjan.is

Connecting and Angle of Attack



When connecting towing wire and backstrops to the doors, we recommend to start with more than medium options.

1. Towing wire.

We recommend to start connecting to F 2 or F 3.

2. Backstrops.

We recommend to start connecting to A/B 2 and C/D 2.

3. Angle of Attack.

To increase spread, connect to higher numbers.

To decrease spread, connect to lower numbers.

If towing wire is moved from F 2 to F 3, the Angle of Attack will increase by approx. 2 - 3°.

If backstrops are moved from holes 1 to 2, the Angle of Attack will increase by approx. 2°.

4. Shallow water fishing.

We recommend to use A and C for shallow water fishing. Minimum weight should be used. As few extra weight plates as possible.

Recommended connection for pelagic fishing.

5. Deep water fishing.

We recommend to use B and D for deep water fishing. Maximum weight should be used. As many extra weight plates as possible.

6. Surface fishing.

Irregular connecting are suggested to keep doors nose down on high speed surface fishing. Upper backstrops should be connected to lower number A 1 and lower backstrops to higher number C 2.