

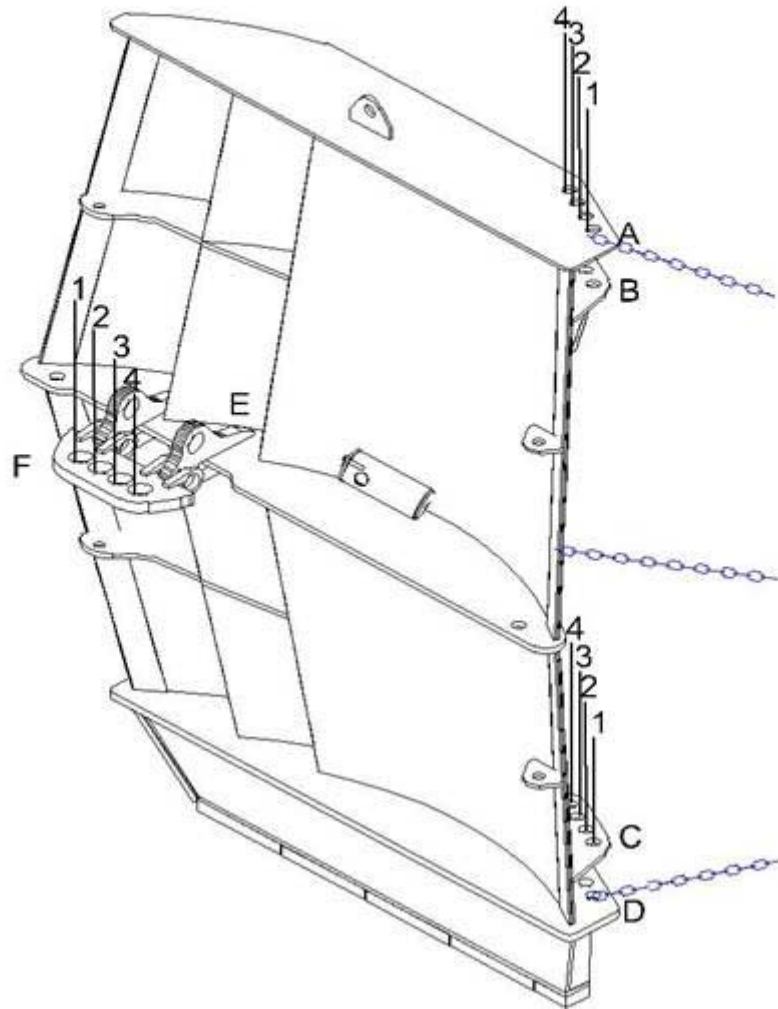


## El Cazador

Trawl Doors

[www.hampidjan.is](http://www.hampidjan.is)

### Connecting and Angle of Attack



When connecting towing wire and backstrops to the doors, we recommend to start with more than medium options.

#### 1. Towing wire.

We recommend to start connecting to F 2 or F 3.

#### 2. Backstrops.

We recommend to start connecting to A/B 2 and C/D 2.

#### 3. Angle of Attack.

To increase spread, connect to higher numbers.

To decrease spread, connect to lower numbers.

If towing wire is moved from F 2 to F 3, the Angle of Attack will increase by approx. 2 - 3°.

If backstrops are moved from holes 1 to 2, the Angle of Attack will increase by approx. 2°.

#### 4. Shallow water fishing.

We recommend to use A and C for shallow water fishing. Minimum weight should be used. As few extra weight plates as possible.

Recommended connection for pelagic fishing.

#### 5. Deep water fishing.

We recommend to use B and D for deep water fishing. Maximum weight should be used. As many extra weight plates as possible.

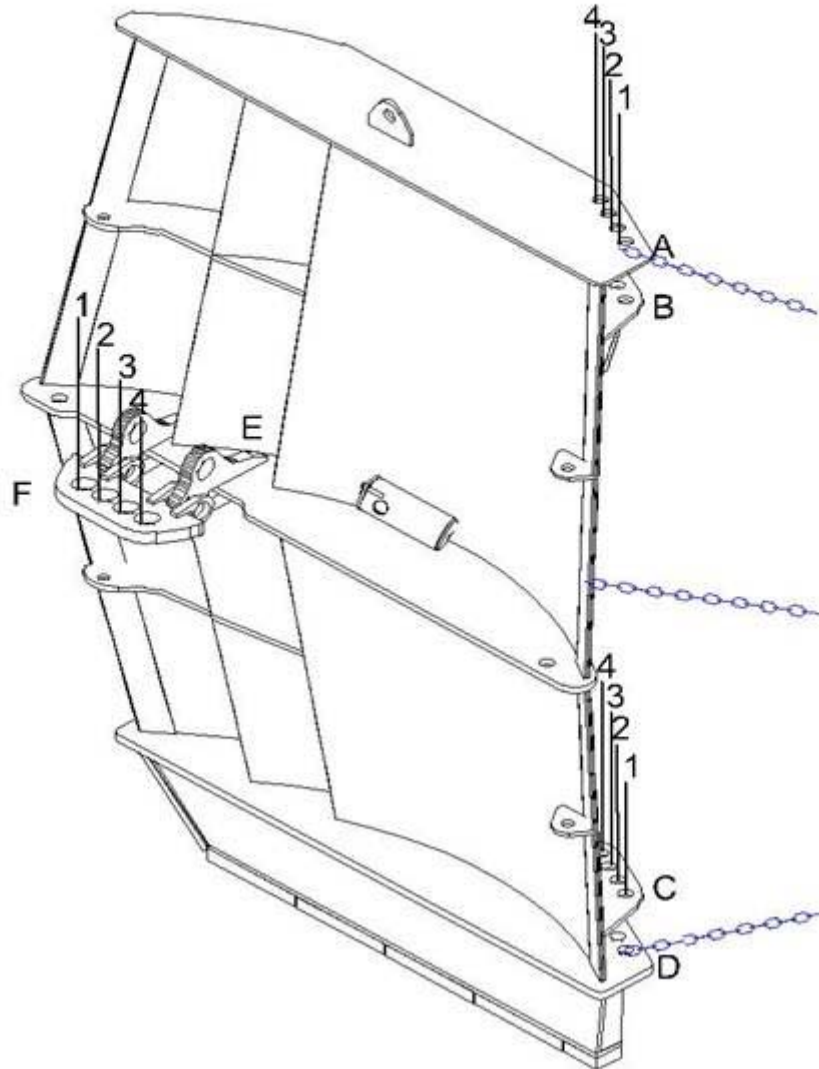
#### 6. Surface fishing.

Irregular connecting are suggested to keep doors nose down on high speed surface fishing. Upper backstrops should be connected to lower number A 1 and lower backstrops to higher number C 2 or C3



## El Cazador Trawl Doors

[www.hampidjan.is](http://www.hampidjan.is)



Suggested rigging, length of chains and shackles					
Backstrops					
Type	Length	Length	D-shackles	D shackles	Green Pin H
m <sup>2</sup>	up/lower	of 3 strop	in back strops	in bracket	in bracket
EL 1,0	3,60	4,06	5/8"	1" x 1" x 40	5/8"
EL 1,3	4,11	4,64	5/8"	1" x 1" x 40	5/8"
EL 1,6	4,56	5,14	5/8"	1" x 1" x 40	5/8"
EL 1,9	4,98	5,62	3/4"	1" x 1 1/8 40	3/4"
EL 2,2	5,34	6,02	3/4"	1" x 1 1/8 40	3/4"
EL 2,5	5,70	6,43	1 x 1" x 40	1" x 1 1/8 40	1"
EL 2,8	6,03	6,80	1 x 1" x 40	1 1/8 x 1 1/4 x 40	1"
EL 3,2	6,45	7,27	1 x 1" x 40	1 1/8 x 1 1/4 x 40	1"
EL 3,6	6,84	7,71	1 x 1 1/8 x 40	1 1/4 x 1 3/8 x 50	1 1/8
EL 4,0	7,20	8,12	1 x 1 1/8 x 40	1 1/4 x 1 3/8 x 50	1 1/8
EL 4,5	7,65	8,63	1 x 1 1/8 x 40	1 1/4 x 1 3/8 x 50	1 1/8
EL 5,0	8,07	9,10	1 1/4 x 1 1/4 x 40	1 3/8 x 1 1/2 x 70	1 1/4
EL 5,5	8,45	9,52	1 1/4 x 1 1/4 x 40	1 3/8 x 1 1/2 x 70	1 1/4
EL 6,0	8,82	9,95	1 1/4 x 1 3/8 x 40	1 1/2 x 1 3/4 x 70	1 3/8"
EL 6,5	9,18	10,35	1 1/4 x 1 3/8 x 40	1 1/2 x 1 3/4 x 70	1 3/8"
EL 7,0	9,54	10,76	1 1/4 x 1 3/8 x 40	1 1/2 x 1 3/4 x 70	1 3/8"
EL 7,5	9,87	11,13	1 1/4 x 1 3/8 x 50	1 1/2 x 1 3/4 x 70	1 3/8"
EL 8,0	10,20	11,50	1 3/8 x 1 1/2 x 50	1 3/4 x 2 x 70	1 1/2"
EL 8,5	10,50	11,84	1 3/8 x 1 1/2 x 50	1 3/4 x 2 x 70	1 1/2"
EL 9,0	10,80	12,18	1 3/8 x 1 1/2 x 50	1 3/4 x 2 x 70	1 1/2"
EL 9,5	11,10	12,52	1 3/8 x 1 1/2 x 50	1 3/4 x 2 x 70	1 1/2"
EL 10	11,40	12,86	1 1/2 x 1 3/4 x 50	2 x 2 1/4 x 70	1 3/4"
EL 10,5	11,67	13,16	1 1/2 x 1 3/4 x 50	2 x 2 1/4 x 70	1 3/4"
EL 11	11,97	13,50	1 1/2 x 1 3/4 x 50	2 x 2 1/4 x 70	1 3/4"
EL 11,5	12,24	13,80	1 1/2 x 1 3/4 x 50	2 x 2 1/4 x 70	1 3/4"
EL 12	12,48	14,07	1 1/2 x 1 3/4 x 50	2 x 2 1/4 x 70	2"
EL 12,5	12,75	14,38	1 1/2 x 1 3/4 x 50	2 x 2 1/4 x 70	2"
EL 13	12,98	14,65	1 1/2 x 1 3/4 x 50	2 x 2 1/4 x 70	2"
EL 13,5	13,23	14,92	1 1/2 x 1 3/4 x 50	2 x 2 1/4 x 70	2"
EL 14	13,50	15,22	1 1/2 x 1 3/4 x 50	2 x 2 1/4 x 70	2"
EL 14,5	13,71	15,46	1 1/2 x 1 3/4 x 50	2 x 2 1/4 x 70	2"
EL 15	13,95	15,73	1 1/2 x 1 3/4 x 50	2 x 2 1/4 x 70	2"
EL 15,5	14,18	15,98	1 1/2 x 1 3/4 x 50	2 x 2 1/4 x 70	2"
EL 16	14,40	16,30	1 1/2 x 1 3/4 x 50	2 x 2 1/4 x 70	2"